

	V1.00			2019.11
V1.00				2019.11.22
V1.01				2020.6.1
V1.02				2020.7.3
V1.03				2021.1.7
V1.04				2021.6.1
V1.05				2021.6.23
V1.06				2021.12.22
V1.07	intel			2022.3.23
V1.08	R1000P2SFP	RP1000P2SFP		2022.6.24
V1.09	PXE			2022.10.29
V1.10	MCTP over SMBus			2022.12.19
V1.11				2023.03.20
V1.12				2023.7.19
V1.13	DPDK			2023.11.17
V1.14				2024.6.20

--	--

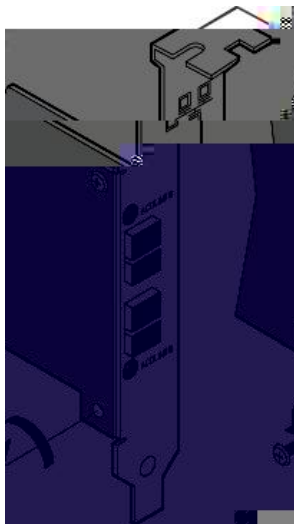
1

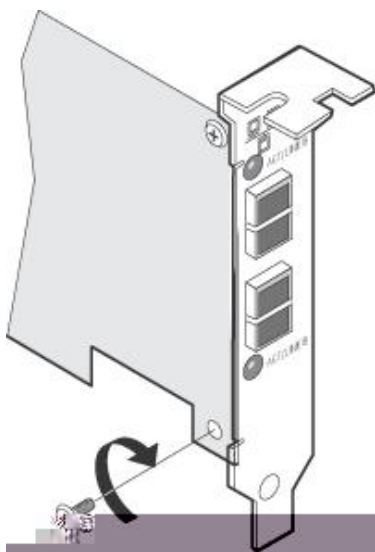
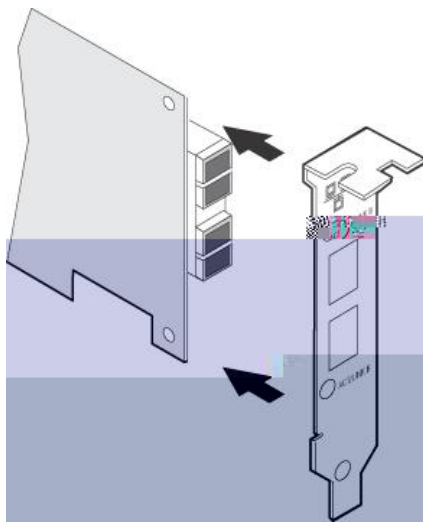
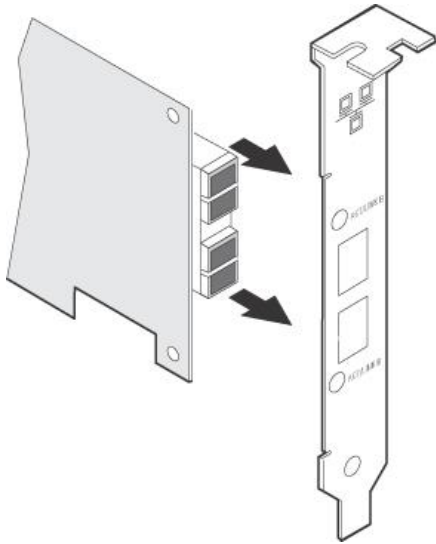
PCB	133.64	mm	+ /-1mm
PCB	68.9	mm	+ /-1mm
()	18.42(x80.15	mm	+ /-0.25mm
()	18.42(x121.05		
	14.47 2.67	mm	+ /-0.13mm

Net-S

Ma...er







2.4

